

MAKE IT MODERN



# POLYPRO SHUTTERS™

## PP

*Product Manual*

- 3 Why PolyPro Shutters™ PP
- 4 Product Specification
- 5 Product Colours
- 6 Blade and Stiles
- 7 U-Channels & Light Blocks
- 8 Framing Options
- 10 Bay & Corner Windows
- 13 Inside Measuring Instructions
- 14 Outside Measuring Instructions
- 15 Points to Remember
- 16 Panel Configuration
- 17 BiFolds
- 21 Sliders
- 30 Shapes
- 34 Warranty

*Table of*  
**CONTENTS**



# Why choose POLYPRO SHUTTERS™ PP



1

## Durable

PolyPro Shutters™ PP is virtually maintenance-free. Unlike other window covering products, daily cleaning is not necessary to maintain the product's overall aesthetic.

These shutters will not fade, peel, or flake, with proper use & care.

They feature aluminium-reinforced cores in stiles and blades, allowing these parts to last longer.



2

## Energy Efficient & Cost-Effective

PolyPro Shutters™ PP allows you control over how much sunlight and air you allow into your home as blades are completely adjustable.

This helps reduce energy costs in your home by reducing the need for heaters or lights when strategically placed & used.



3

## Sustainable

As a result of the high durability of these shutters, they tend to last longer than blinds or shades making them environment-friendly and cheaper alternatives.



# *Product* SPECIFICATIONS

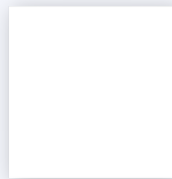
	General Information	Minimum	Maximum
Panel Width	Hinged Bi-Fold Sliding or Fixed Double-Hinged	180mm	900mm 600mm 900mm 450mm (max 1.35 sqm per pair of panels)
Panel Height	With a Midrail Without a Midrail	350mm 350mm	2600mm 1500mm
Midrails	Midrails must be measured from the bottom of the panel to the centre of the midrail. Unless the midrail is critical, please note tolerance (up/down) listed: 63mm blades – 25mm 89mm blades – 35mm 114mm blades – 50mm		

*Make it Modern!*

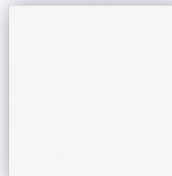
# Product COLOURS



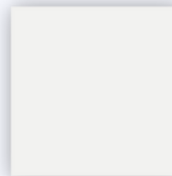
In our PolyPro Shutters™ PP line, we offer four classic white shades to choose from.



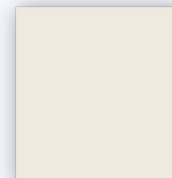
PP Polar White 01



PP White 02



PP Pearl 03



PP Ivory 04

\*We use water-based paint



*Product*

# BLADES & STILES



11 x 63 mm blade



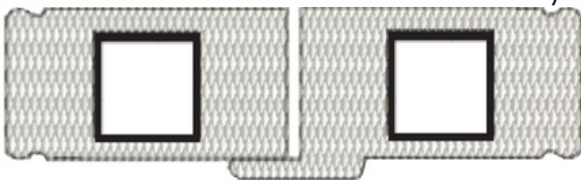
11 x 88.9 mm blade



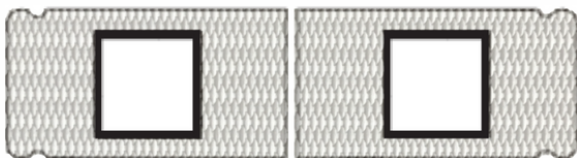
11 x 114.3 mm blade

Note: Whenever there are two panels meeting together, the default set up is for the right panel to open first.

Please make sure to place a request on the order form, should you wish to have the left panel open first.



D-mould stile



Square stile



Rabbit stile

PolyPro Shutters™ PP stiles come as flat or beaded.

Three types are available: Square, D-Mould, and Rabbit.

Selecting a beaded stile will automatically make frames beaded.

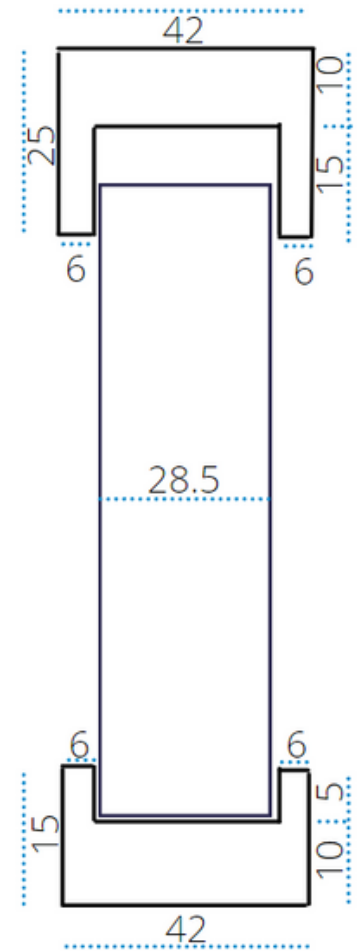
*features an aluminium core for durability!*

# U CHANNEL & LIGHT BLOCK *options*

The use of U-Channels is great for when hinges are not necessary.

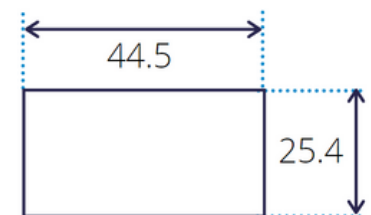
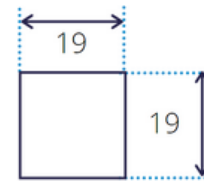
These are easy to fit, for both the installer and customer. These are also easy to remove & clean.

Note: Supply the exact size of your window height, as the factory will deduct 30mm from the measurement, to allow the panel to work with the U-Channels. 2 x 19 x 19mm. Light Blocks will be supplied for the sides, 41mm smaller than the height given, to fit between the top & bottom U-Channels.



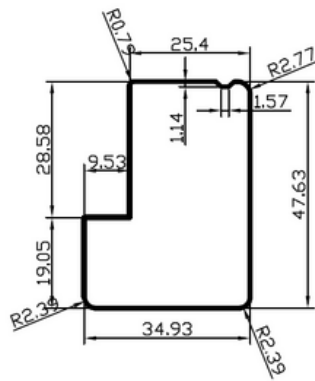
## Light Blocks & Joinery

These are standard joinery sizes available and may be requested as needed for various applications.

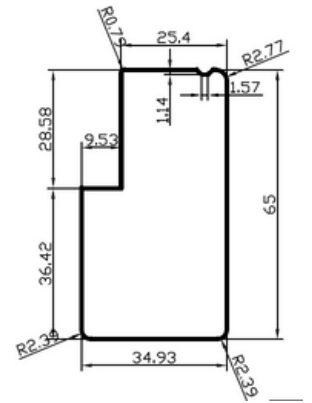


# Product FRAMING

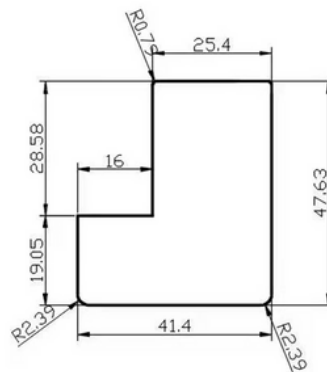
## L-Frames & Face-Fit Frames



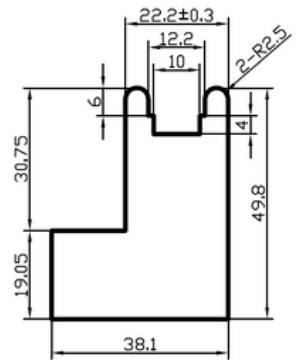
Beaded L-Frame



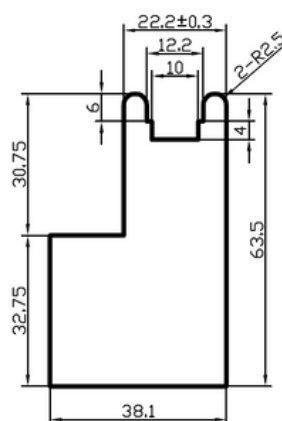
65mm L-Frame



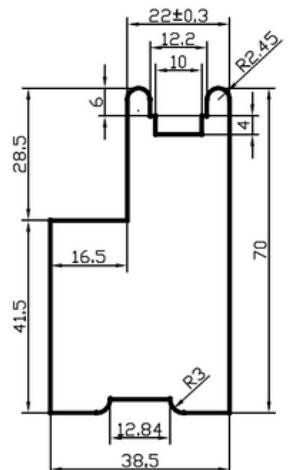
Flat L-Frame



50mm F/F L-Frame



65mm F/F L-Frame



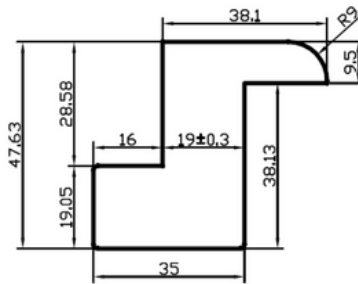
70mm F/F L-Frame

Other frames may be available upon request.

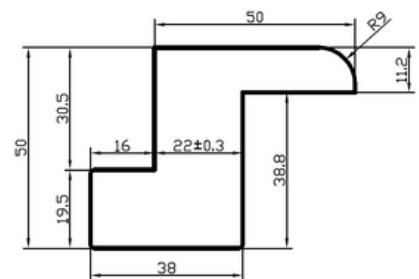


# Product FRAMING

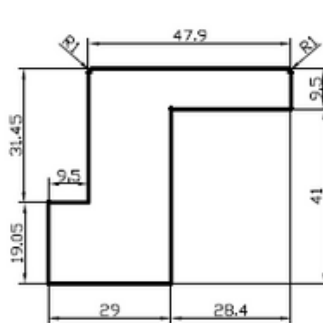
## Z-Frames



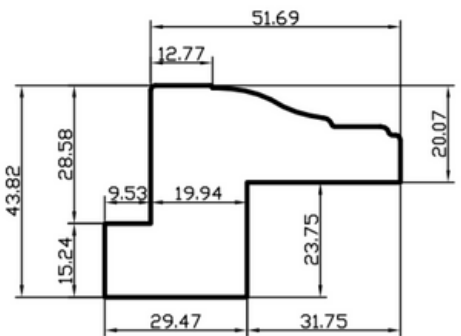
Bullnose Z-Frame



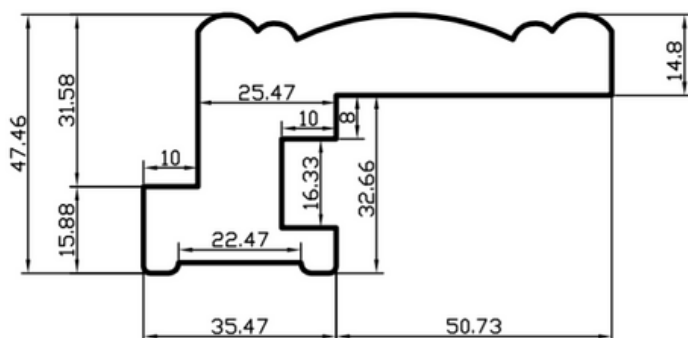
Large Bullnose Z-Frame



Plain Z-Frame



Deluxe Z-Frame



Deco Z-Frame



Other frames may be available upon request.

*Our*

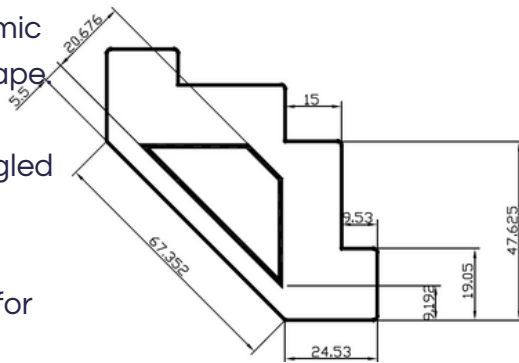
# BAY & CORNER WINDOWS

## Corner Windows

Corner Windows open up the interiors by providing a panoramic view of the surrounding landscape.

The standard corner post is angled at 90-degrees.

The Corner Posts are available for an additional surcharge.

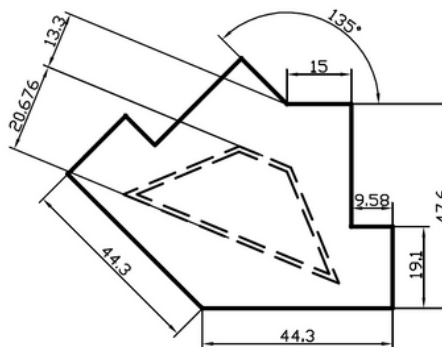


## Bay Windows

Bay Windows are a versatile upgrade for any home. Our PolyPro Shutters™ PP Bay Windows will add a modern twist to your window.

The standard bay post is angled at 135-degrees.

Bay Posts are available for an additional surcharge.

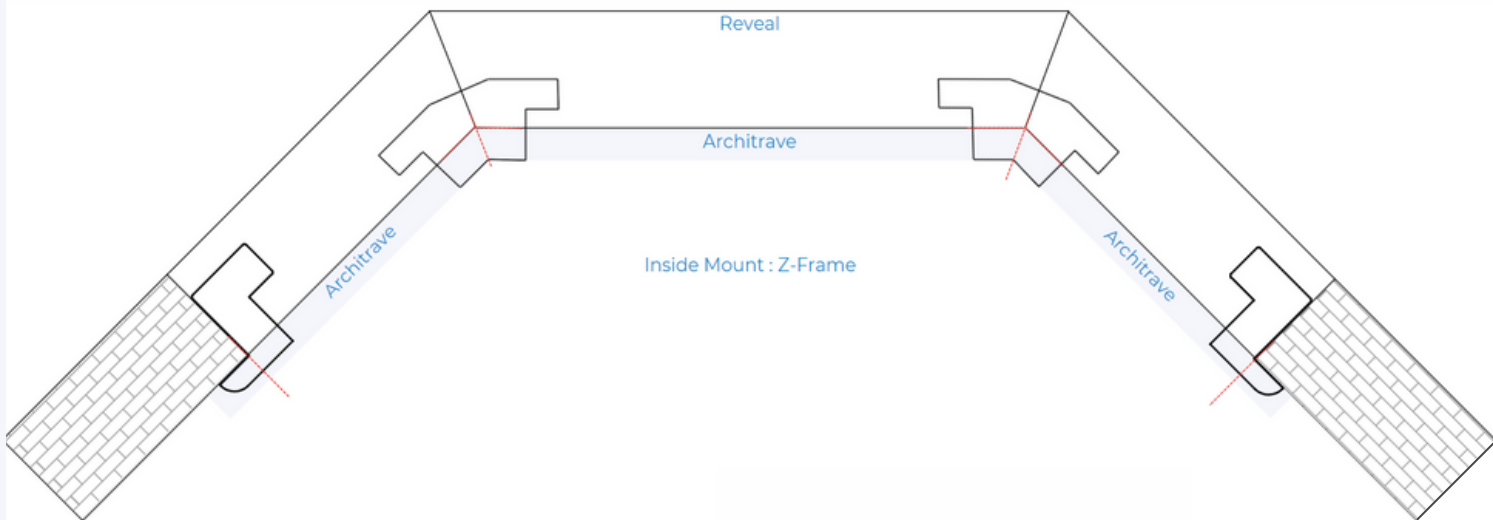
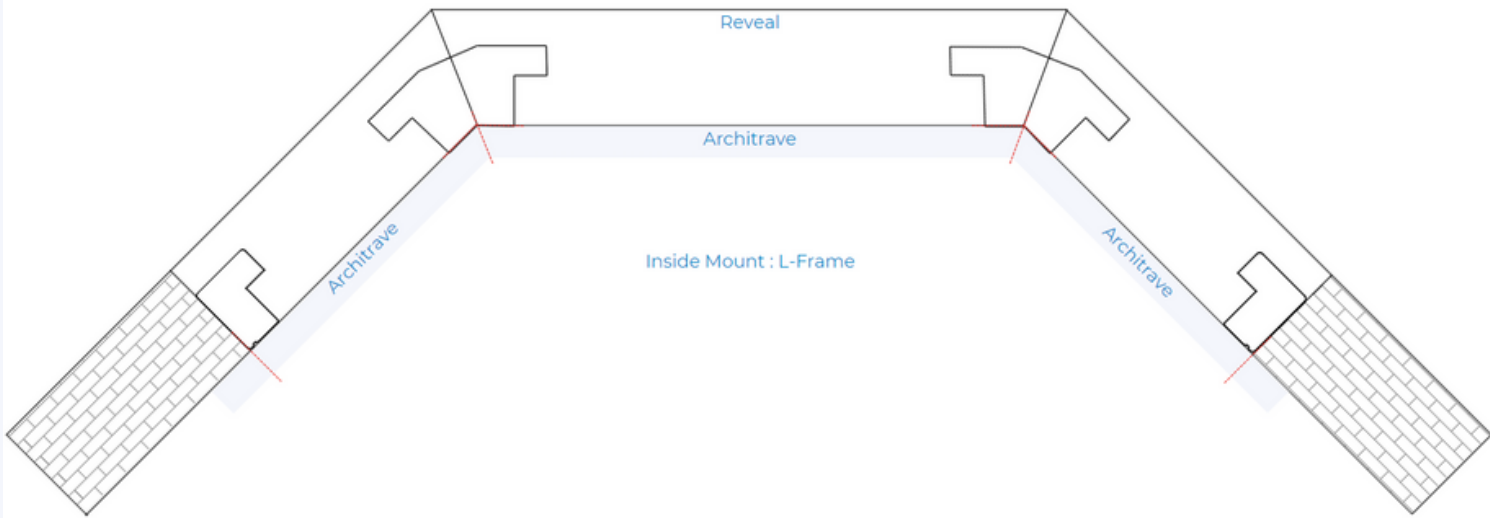


*Add a modern twist to your home!*

# *Our* BAY WINDOWS

---

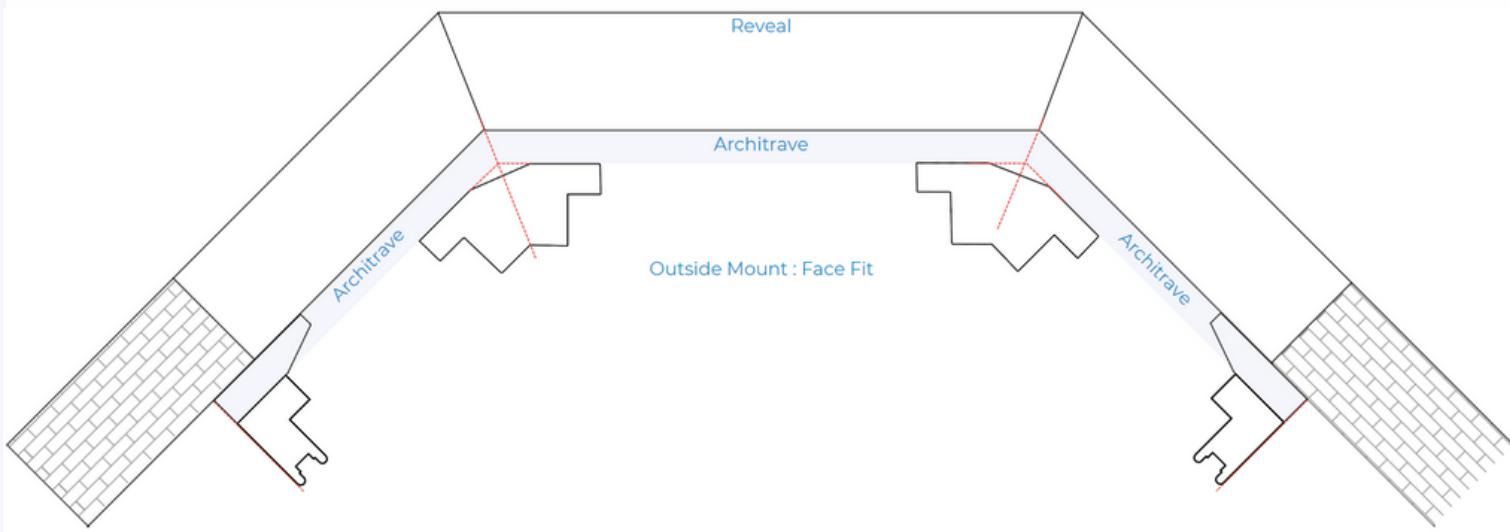
## Bay Windows - Measuring Points



*Our*  
**BAY**  
**WINDOWS**

---

Bay Windows - Measuring Points



*Add a modern twist  
to your home!*

# HOW TO MEASURE?

*Inside Mount*

## Inside Mount

- Always measure width before height.
- Please make sure to provide measurements in millimetres.
- Always measure the depth of the reveal and make sure that nothing could interfere with the rotation of the blades. Refer to the depth chart for the relevant depth needed for each blade size.
  - Note: Z-Frames will always bring the shutter forward by around 10mm.
- Make sure to measure in at least 3 points across the width and height.
  - For Make Size – please take the following deductions from the smallest measured size.
  - For Opening Size – please provide the smallest size measured. The factory will take deductions.

	Make Width Deduction	Make Height Deduction
Hinged	3mm	3mm
Non-Mortise w/o Frame (1 panel)	5mm	6mm
Non-Mortise w/o Frame (2 or more panels)	6mm	6mm
Pivot Hinge w/o Frame (1 panel)	5mm	8mm
Pivot Hinge w/o Frame (2 or more panels)	6mm	8mm
Slider or Bi-folds	3mm	3mm

**Note:** These are recommended deductions only.

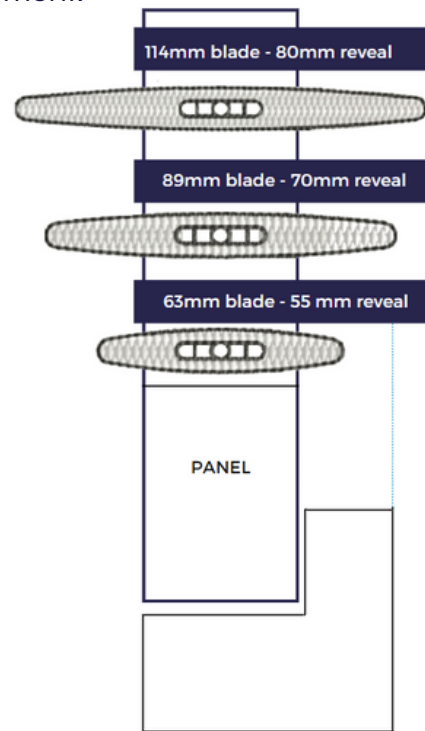


# Outside Mount HOW TO MEASURE?



## Outside Mount

- Always measure width before height.
- Please make sure to give measurements in millimetres.
- Make sure to measure in at least 3 points across the width and height. Use the largest measured size on the order form. No deductions will be taken from this measurement.



## Note:

- Frames can be customised as needed.
- We have a note section on our order forms for special instructions.
- Please feel free to speak with our team to discuss your needs.

# Points to REMEMBER



## Things to consider when measuring & placing an order.

As a default, our right panels will always open first. If you wish for Left to open first, please leave a note in the order form with the request.

### Midrails:

- Midrails should be measured from the bottom of the opening to the centre of where you want the midrail located. It is important to note that this position may be moved within 30mm of the measurement given.
- If the midrail position is critical, please NOTE this on the order form. This will ensure that the position remains as requested.
  - This may cause the top and bottom rails not to match.
  - You may request for drawing approval before production. This needs to be noted on the order form prior to sending to [orders@ausource.com.au](mailto:orders@ausource.com.au).

### Z-Frames:

- Follow the measuring instructions for inside mount when ordering Z-Frames.

### Bay & Corner Windows:

- We recommend that you provide a diagram to show the exact measurements for the shutter.

### T-Posts:

- This is to be measured from the left of the window opening to the centre of where you would like the T-Post to be positioned.
- The same policy to be applied when measuring multiple T-Posts.

### Uneven T-Posts/Corner/Bay/Panel Splits:

- Please state T-Post (TP), Bay Post (BP), Corner Post (CP) or Split (SPT) after your measurement as the below example.

Item #	To Centre of 1st Post or Split	To Centre of 2nd Post or Split
1	603 BP	1801 BP
2	604 TP	1798TP

# Panel CONFIGURATION

---

## Number of Panels

- The number of panels depends on the size of the window opening; keep panel widths to specifications provided.

## Panel Fold Options

- We can always configure your panels based on your needs. They can either have the hinges on the Left (L) or Right (R), depending on how you want them to open. We also have options for T-Posts (LTR), and Double Hinged (LL or RR).



---

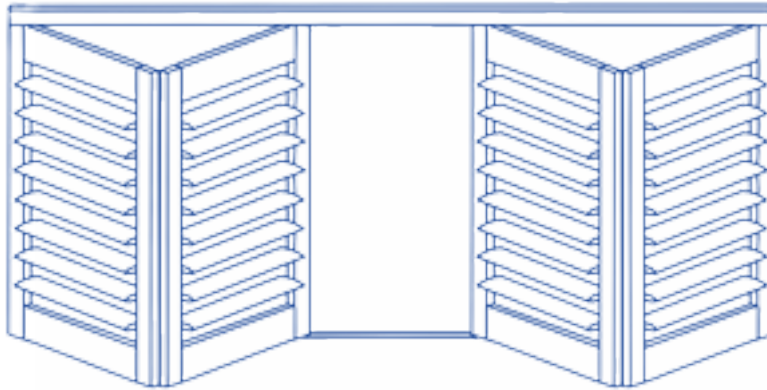
## Bi-fold with track

- Please refer to the specifications page for the maximum width for bi-folds and/or double-hinged.
- We default to rabbet unless otherwise specified. Please note: D-Moulds are not recommended.

*Quality you can  
depend on!*

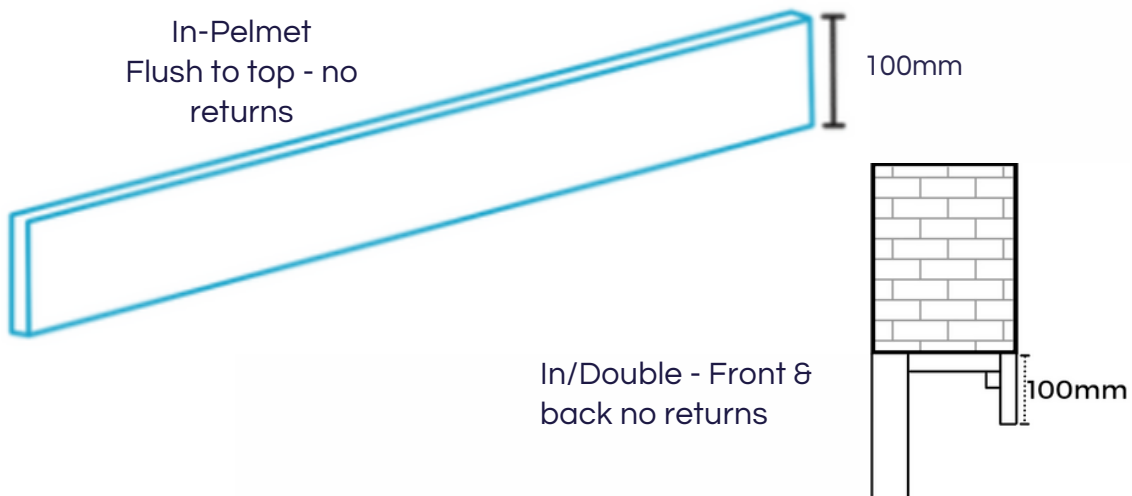
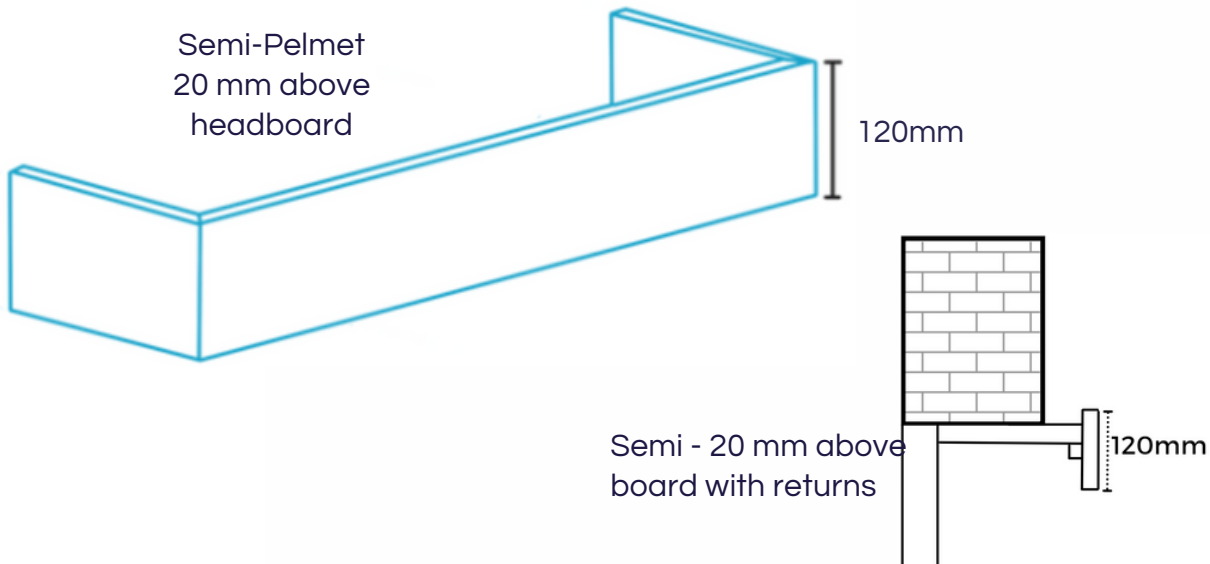
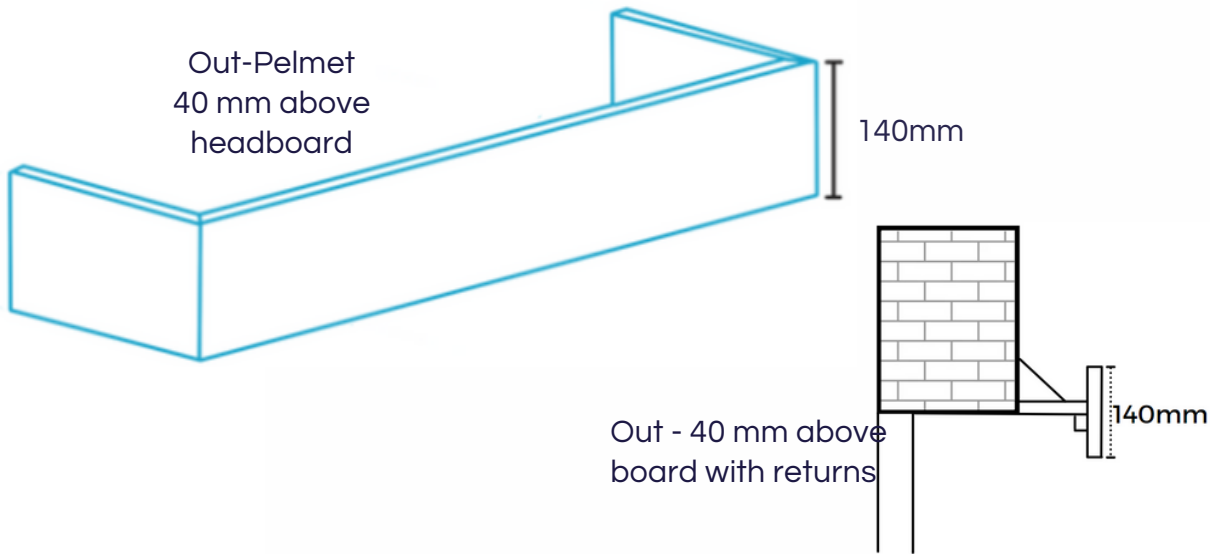


# BI-FOLD OPTION



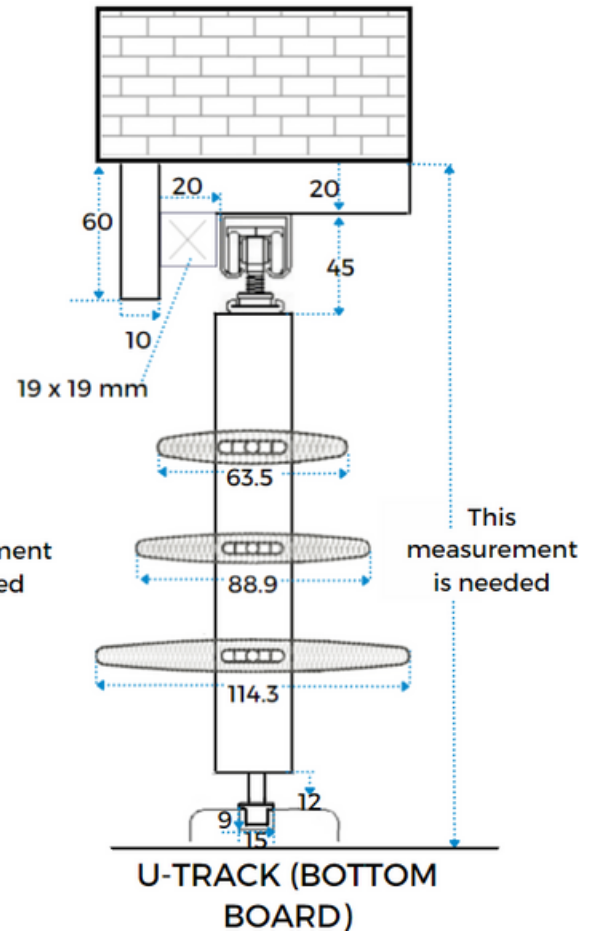
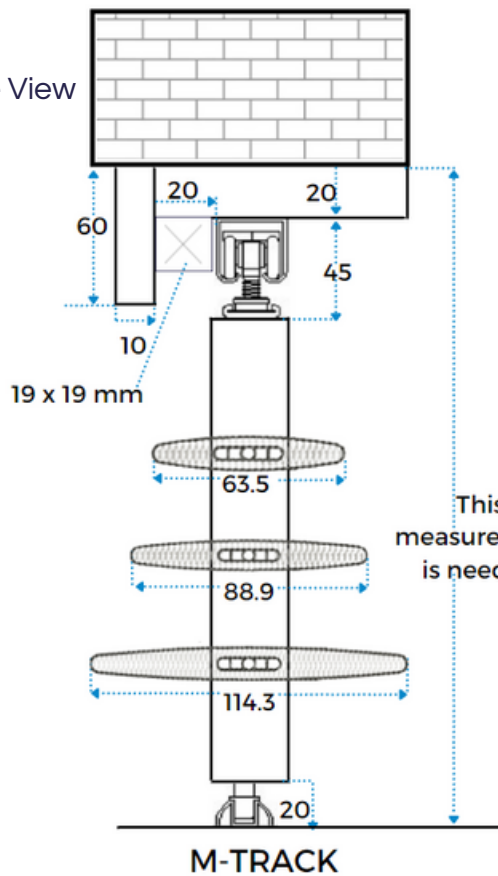
- 
- Bi-Fold on Track allows up to 8 panels hinged together. Panels need to be in multiples of two to operate properly within the track.
  - The default top frame (headboard) is 100 x 20mm unless otherwise specified. Please note: if fitting around architraves, please use 120mm framing.
  - The order form has a section for the Fascia type (in, semi, or out). Should you need variations, please use the Order Form NOTES section to specify.
    - IN – Fascia is flush with the top of the headboard, no returns.
    - SEMI – Fascia is 20mm above headboard with returns the same depth as the headboard.
    - OUT – Fascia is 40mm above headboard with returns the same depth as the headboard.
  - The Fascia has a pre-drilled 19x19 bead attached to the back, to make it easier to mount the headboard.
  - Sideboards and/or Bottom boards may be ordered for an additional surcharge fee. Please make sure your sideboard or bottom board request is noted on the order form.
  - Sideboards are the same depth as the headboard. Light blocks 34.8 x 9.5mm will be supplied loose to the front edge of the sideboard.
  - If you do not require sideboards, a 19 x 19 beading is supplied for light blocks.

# B-I-FOLD OPTION

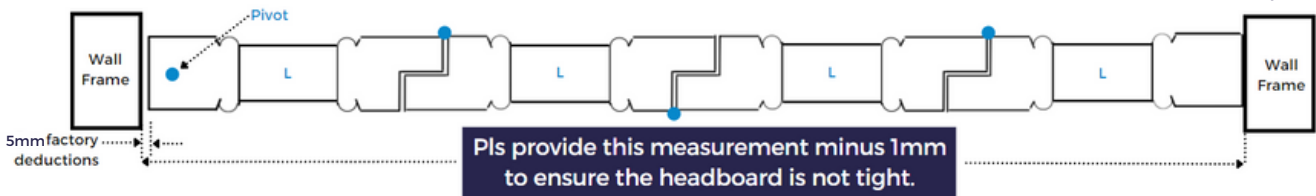


# Inside Mount BI-FOLD

No sideboard, Side View



No sideboard, Top View



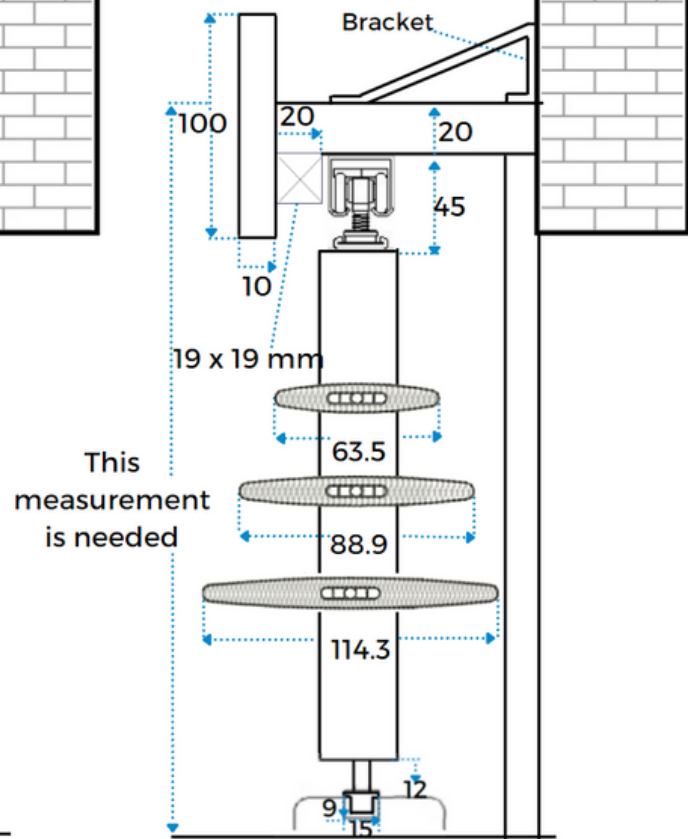
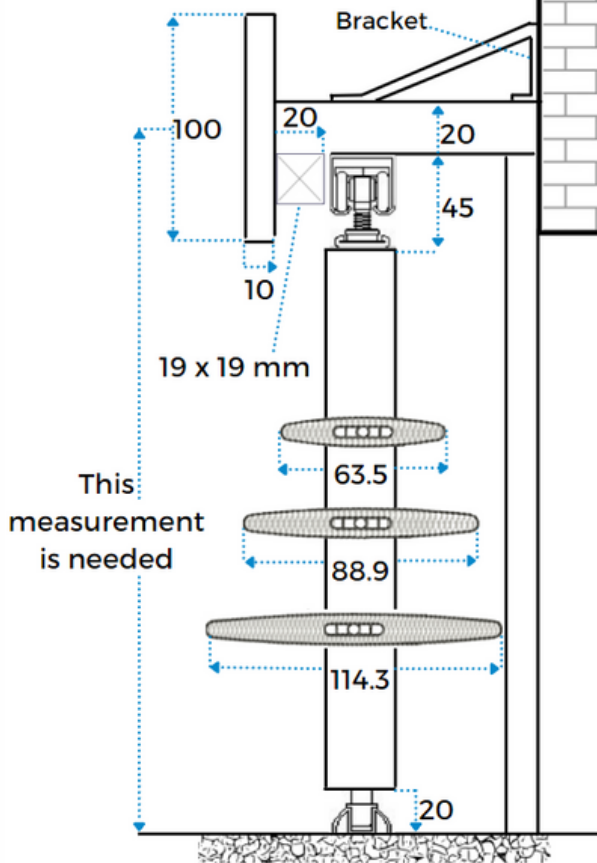
Note: Please make sure that there are no handles, mullions or winders that will interfere with the Bi-Fold operation.

No sideboards are supplied unless otherwise specified on the order form.

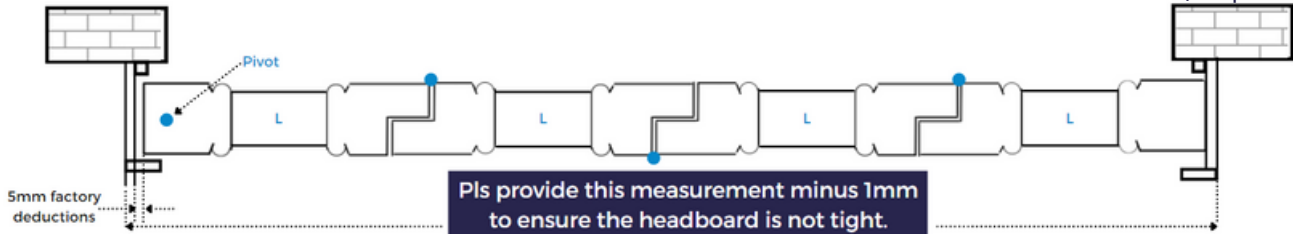
*Service you can depend on!*

# Outside Mount BI-FOLD

No sideboard, Side View



No sideboard, Top View



Note: Please make sure that there are no handles, mullions or winders that will interfere with the Bi-Fold operation. No sideboards are supplied unless otherwise specified on the order form.

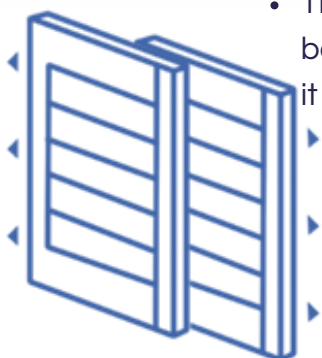
*Service you can depend on!*

# Our SLIDERS

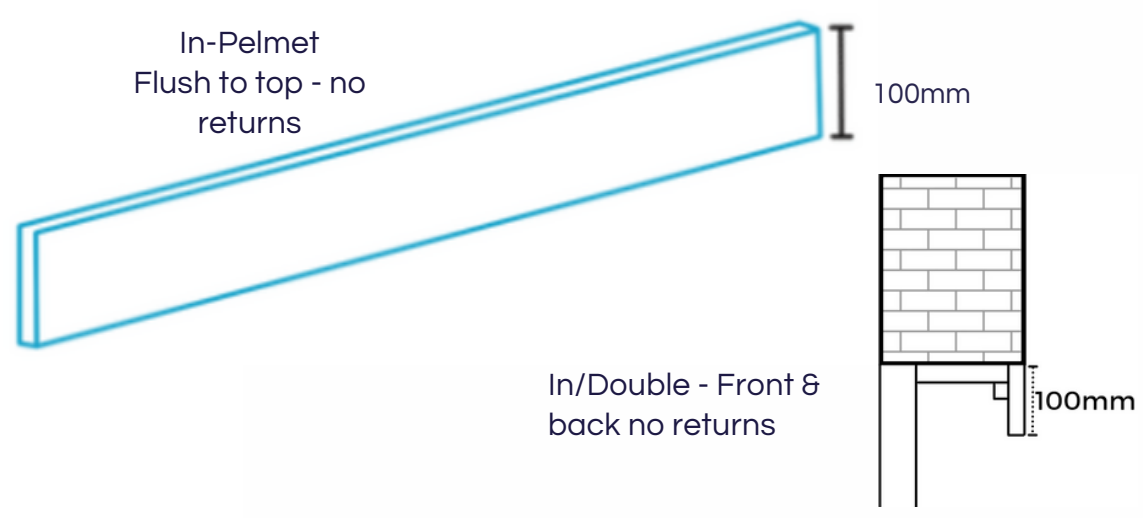
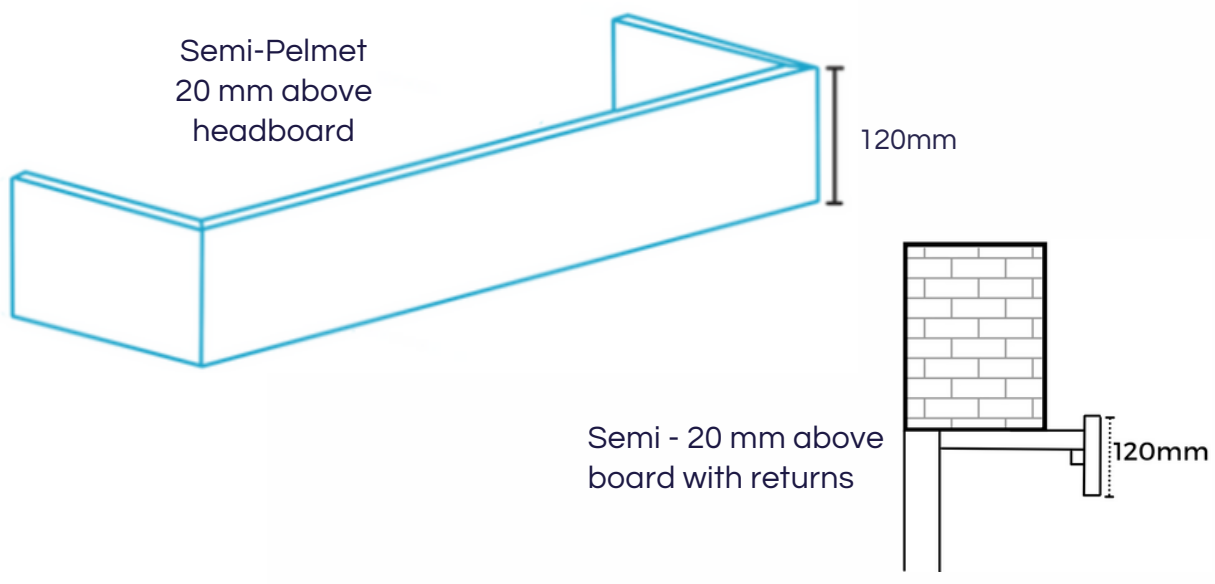
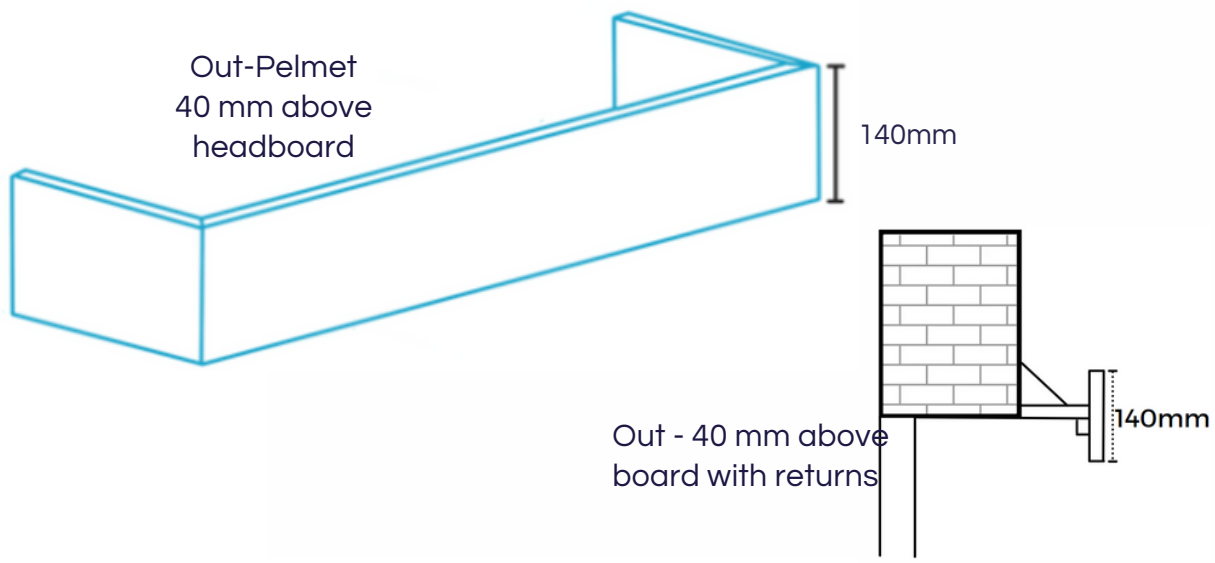


Please refer to the specifications page for the maximum width for sliders.

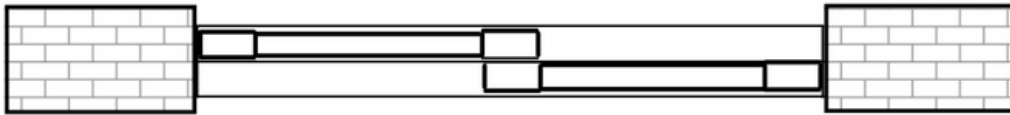
- The default top frame (headboard) is 100x20mm unless otherwise specified. Please note: if fitting around architraves, please use 120mm framing.
- The order form has a section for the Fascia type (in, semi, or out). Should you need variations, please use the Order Form NOTES section to specify.
  - IN – Fascia is flush with the top of the headboard, no returns.
  - SEMI – Fascia is 20mm above headboard with returns the same depth as the headboard.
  - OUT – Fascia is 40mm above headboard with returns the same depth as the headboard.
- The Fascia has a pre-drilled 19 x 19 bead attached to the back, to make it easier to mount the headboard.
- Please select whether you want the shutter sliding open or closed.
  - Open – blades can rotate open when sliding the panels.
  - Closed – blades will remain shut when sliding.
- Please note: Panels sliding open require a wider headboard & light blocks. The light blocks will be supplied loose.
- Sideboards and/or Bottom boards may be ordered for an additional surcharge fee. Please make sure your sideboard or bottom board request is noted on the order form.
- Sideboards are the same depth as the headboard. Light blocks 34.8 x 9.5 mm will be supplied loose to the front edge of the sideboard.
- If you do not require sideboards, a 19 x 19 beading is supplied for light blocks.



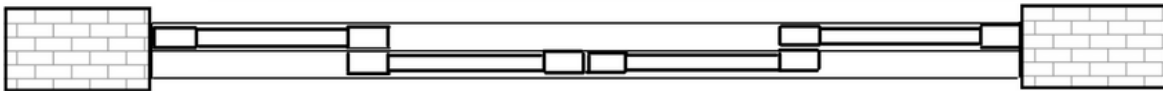
# *Out* SLIDERS OPTIONS



# SLIDERS OPTIONS



Back (B) - Front (F)



Back (B) - Front (F) - Front (F) - Back (B)

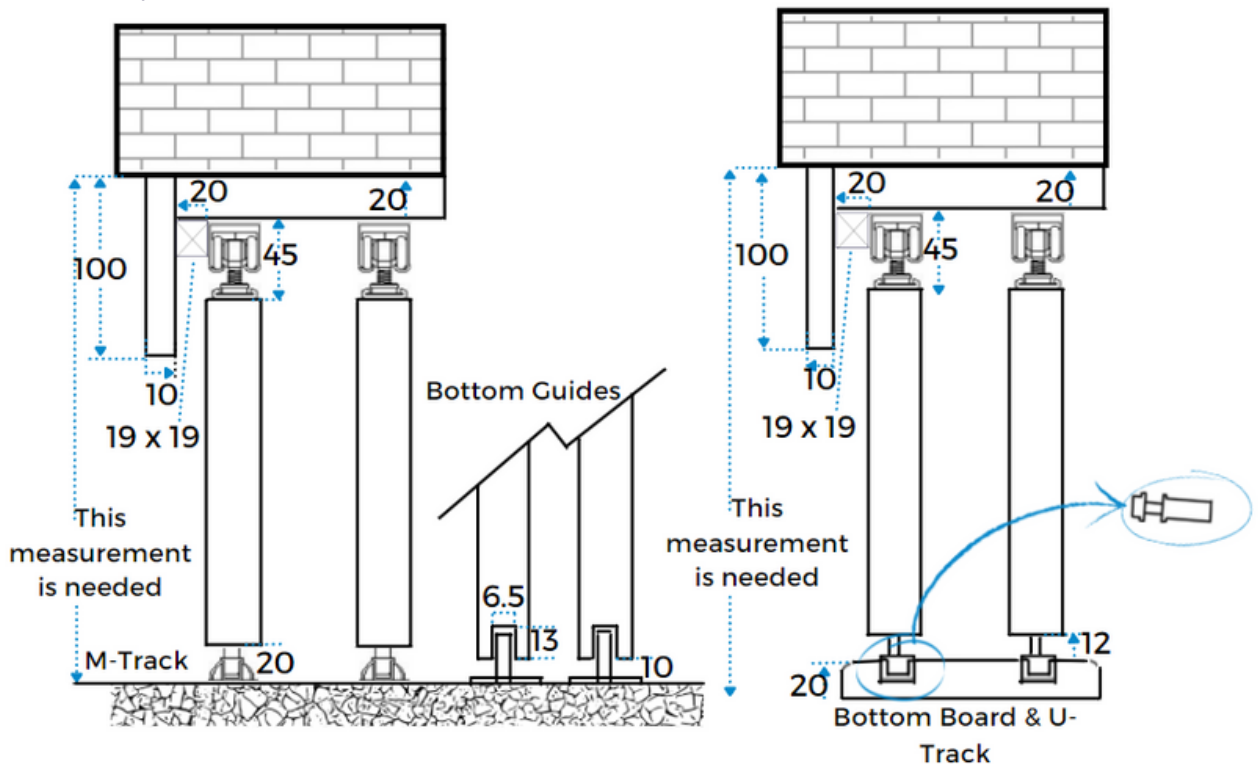
Other layout codes are available!

- 
- Top Rolling:
    - With bottom boards (U) tracks will be rebated into the board
    - Floor guide or Bottom (M) tracks are available if No bottom board is ordered.
  - Please use B, M and F for the slider's layout code.
    - B (Back) means the panel is placed on the back track.
    - M (Middle) means that the panel is placed on the middle track.
    - F (Front) means the panel is placed on the front track.
    - Please note: Always start the layout code from left to right.

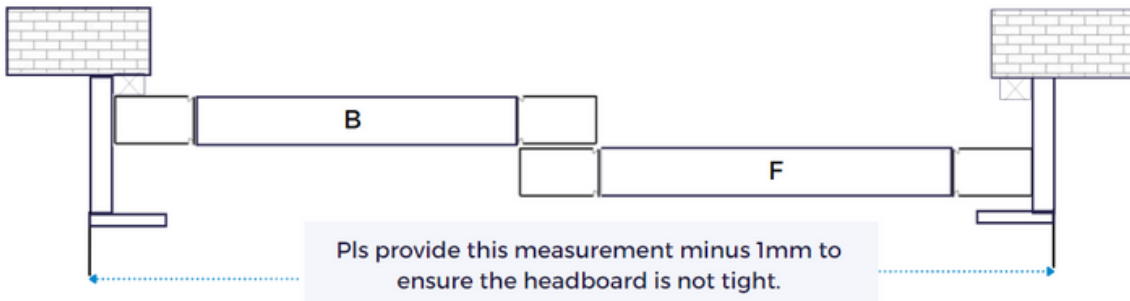
# Inside Mount SLIDERS

Inside Mount - CLOSED

No sideboard, Side View



No sideboard, Top View



Note: No sideboards are supplied unless otherwise specified on the order form.

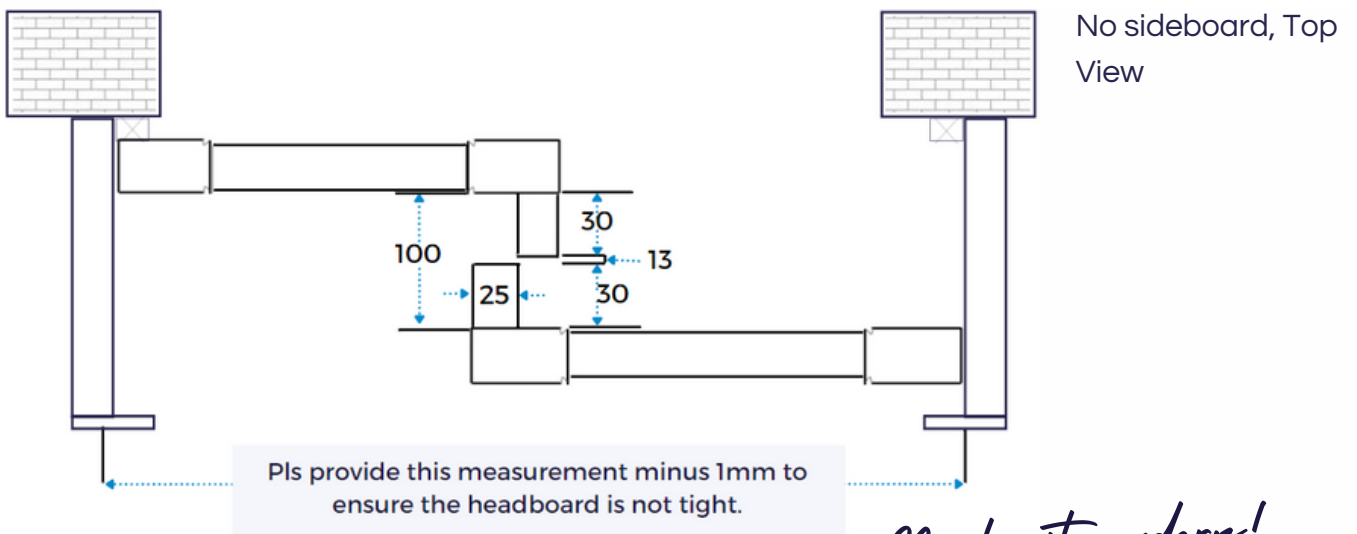
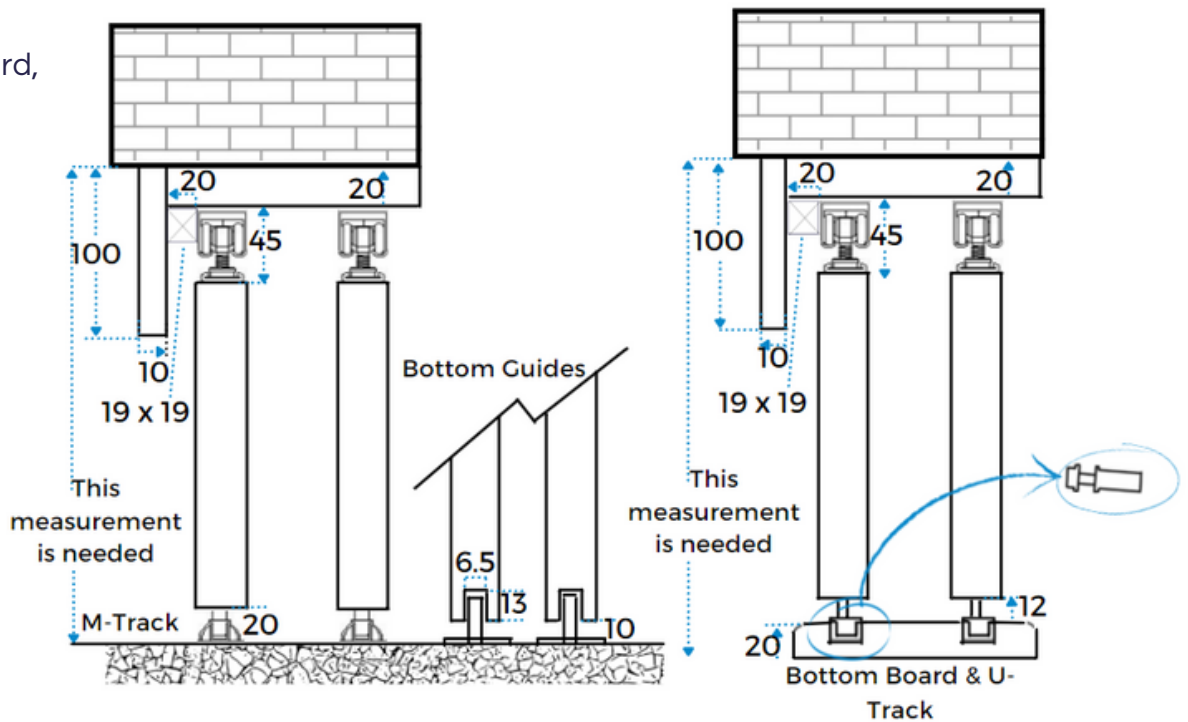
*Make it modern!*



# Inside Mount SLIDERS

## Inside Mount - OPEN

No sideboard,  
Side View



No sideboard, Top  
View

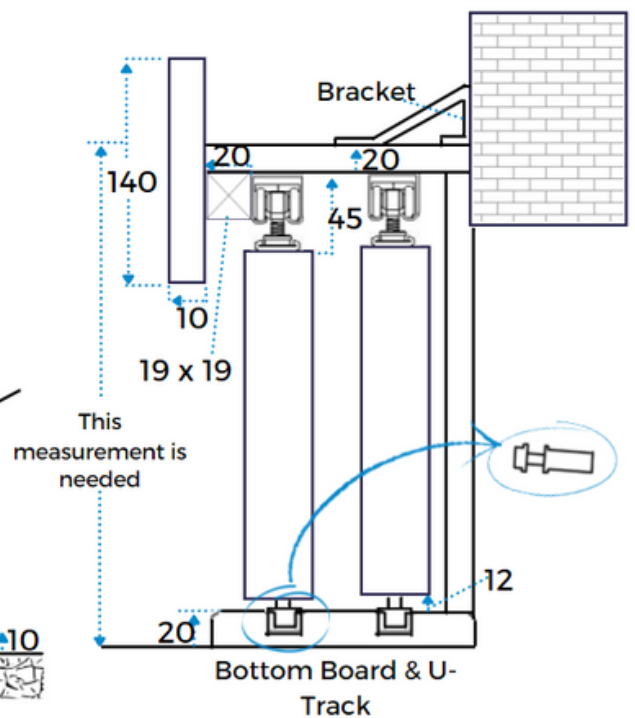
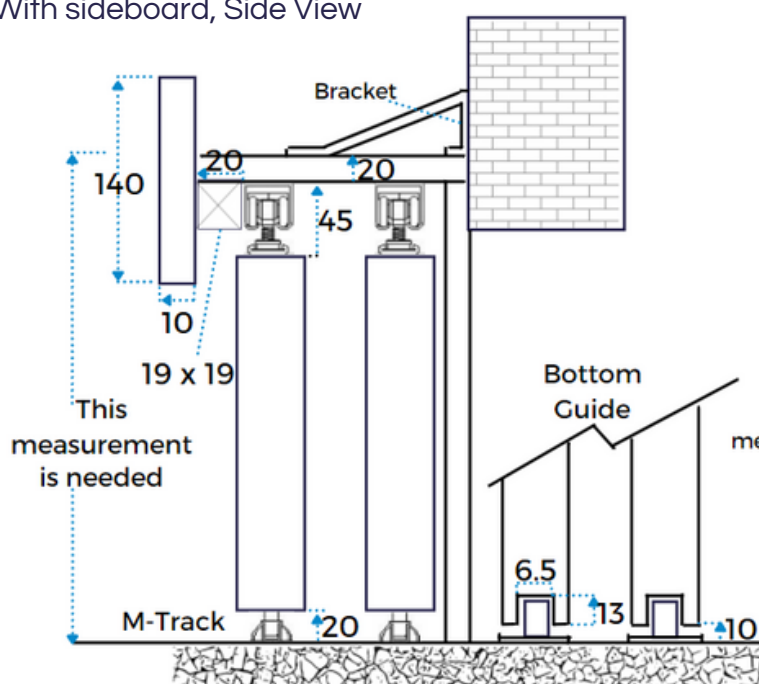
*Make it modern!*

Note: Lightblocks are supplied loose, unless otherwise requested.

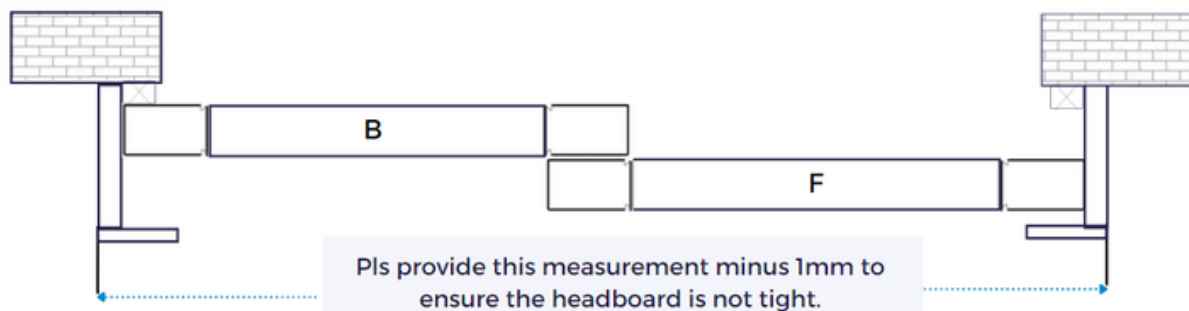
# Outside Mount SLIDERS

## Outside Mount - CLOSED

With sideboard, Side View



No sideboard, Top View



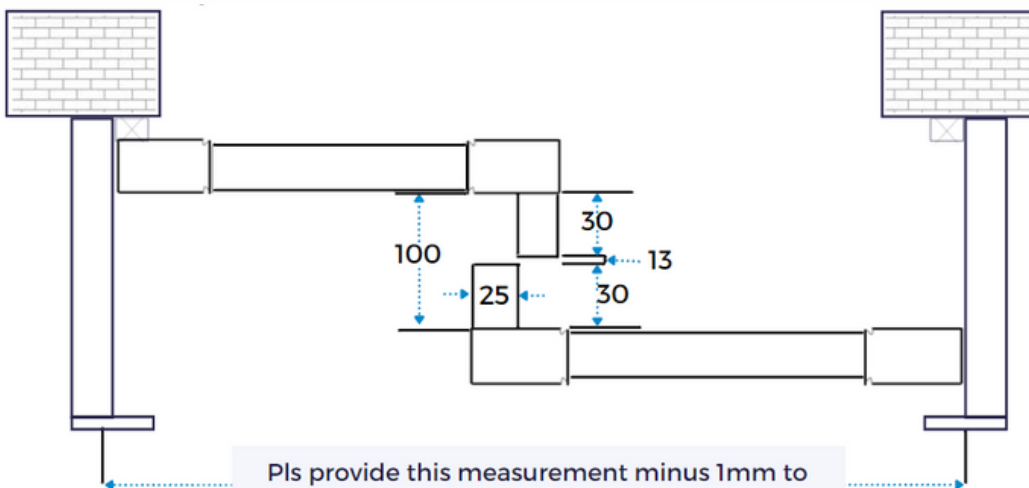
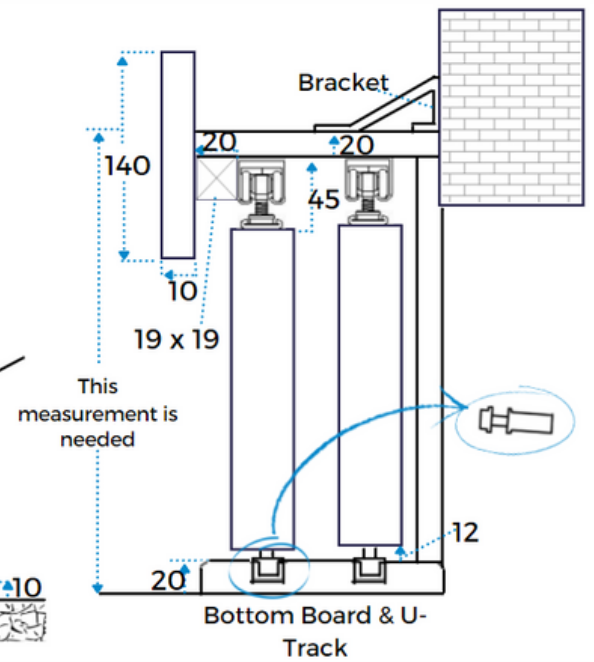
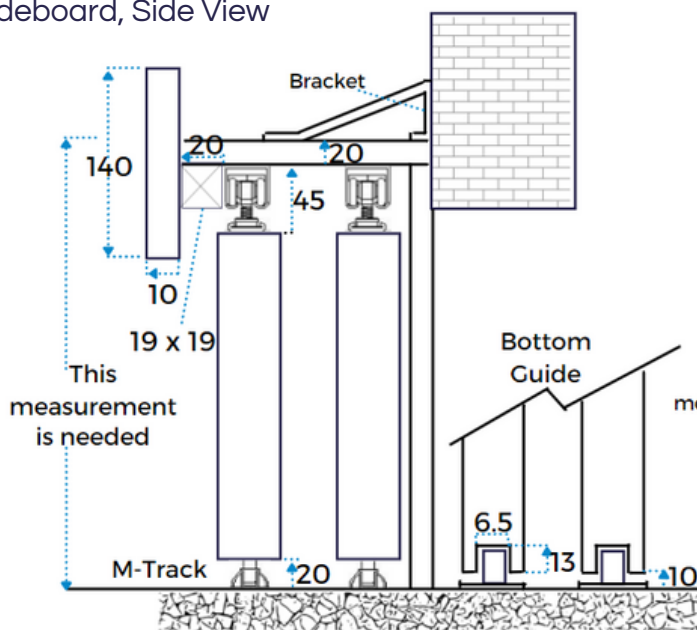
Note: No sideboards are supplied unless otherwise specified on the order form.

*Make it modern!*

# Outside Mount SLIDERS

## Outside Mount - OPEN

With sideboard, Side View



No sideboard, Top View

Note: Lightblocks are supplied loose, unless otherwise requested.

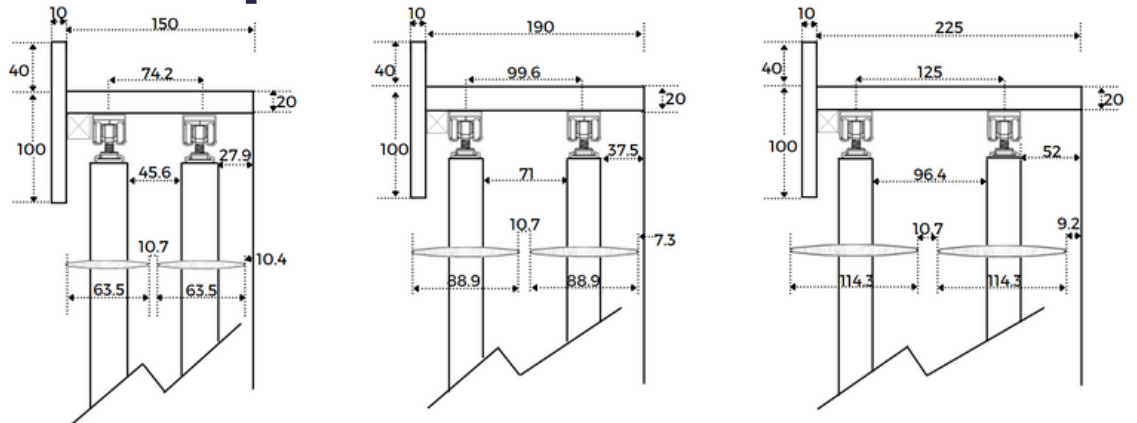
Pls provide this measurement minus 1mm to ensure the headboard is not tight.

*Make it modern!*

# Our TRACK SPACING

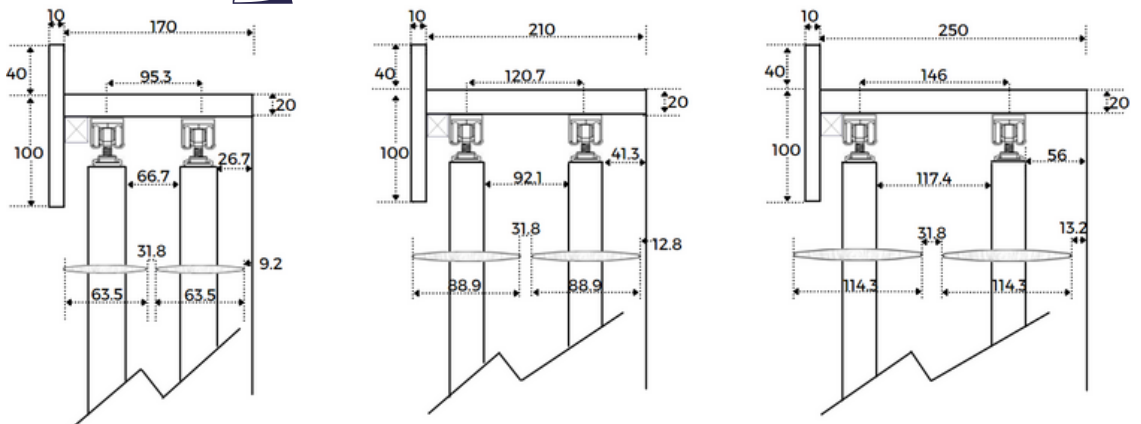
1

Open Pass Clearview



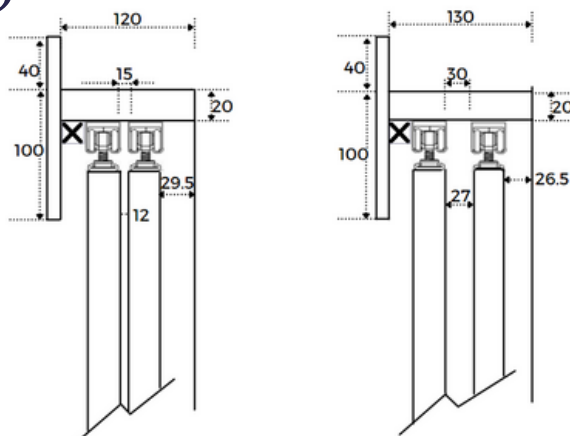
2

Open Pass Centre



3

Closed Pass



# Slider

*Frame Depth*



	Sliders with Clearview Tilt		
	Minimum	Standard	Face Fit <small>(around architrave)</small>
Closed Blades	115mm	120mm	140mm
63mm-Open	150mm	180mm	170mm
89mm-Open	190mm	200mm	220mm
114mm-Open	225mm	230mm	250mm

	Sliders with Centre Tilt		
	Minimum	Standard	Face Fit <small>(around architrave)</small>
Closed Blades	130mm	140mm	160mm
63mm-Open	170mm	180mm	200mm
89mm-Open	210mm	210mm	230mm
114mm-Open	250mm	250mm	270mm

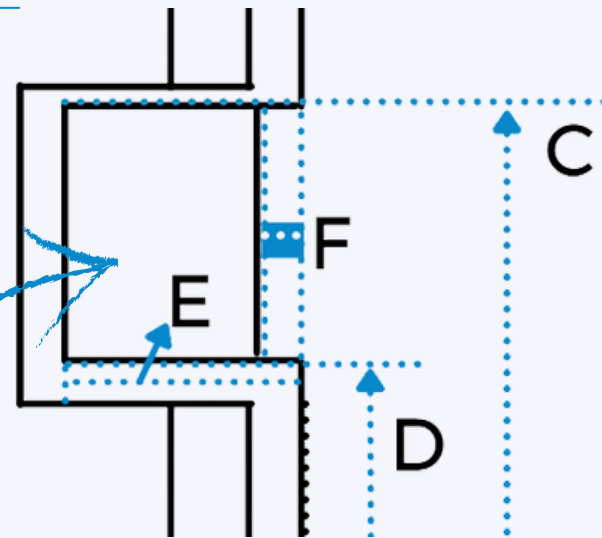
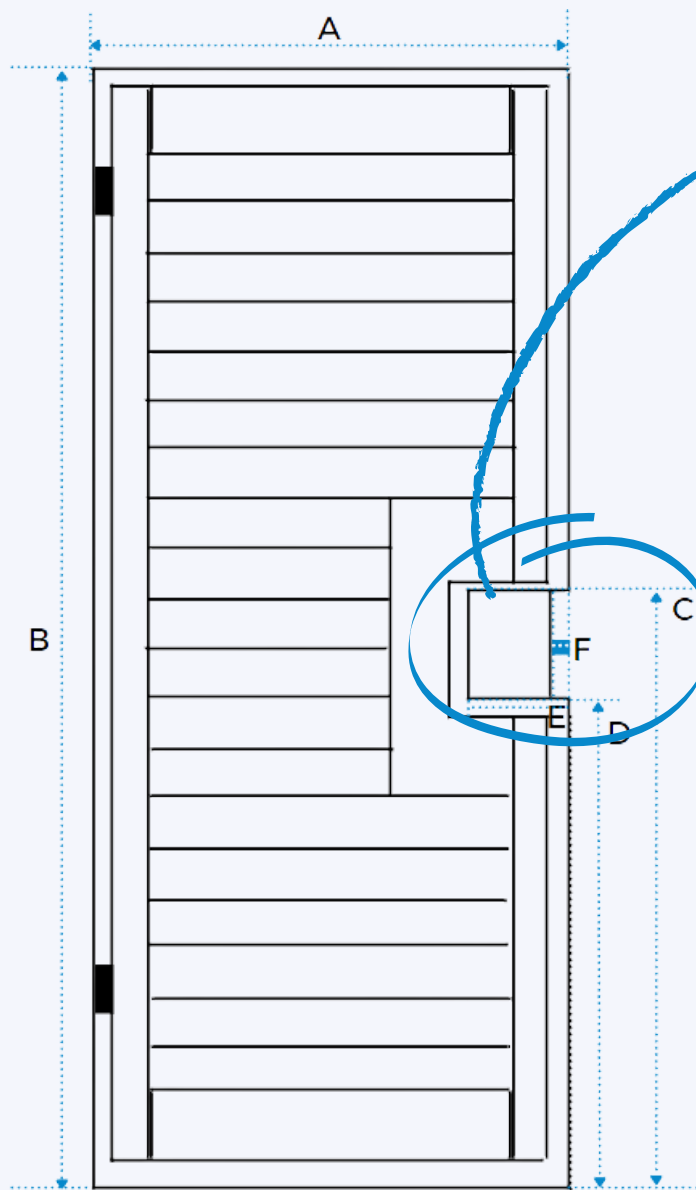
Headboard maximum size is 220mm and will need to be hand painted.  
Please note that while 114mm is an option, we do not recommend this.

*Quality you can rely on!*

*Our*

# SHAPED SHUTTERS

French Doors



- A (Overall Width)
- B (Overall Height)
- C (Height to Top Edge of Cut-Out)
- D (Height to Bottom Edge of Cut-Out)
- E (Cut-Out Width)
- F (Rebate Width)

Can be ordered with or without a cut-out block.

Two types of cut-outs:

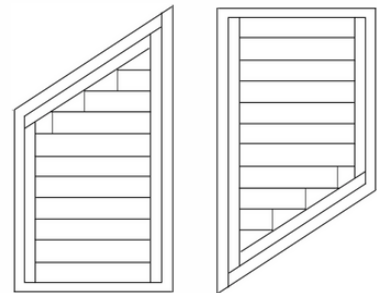
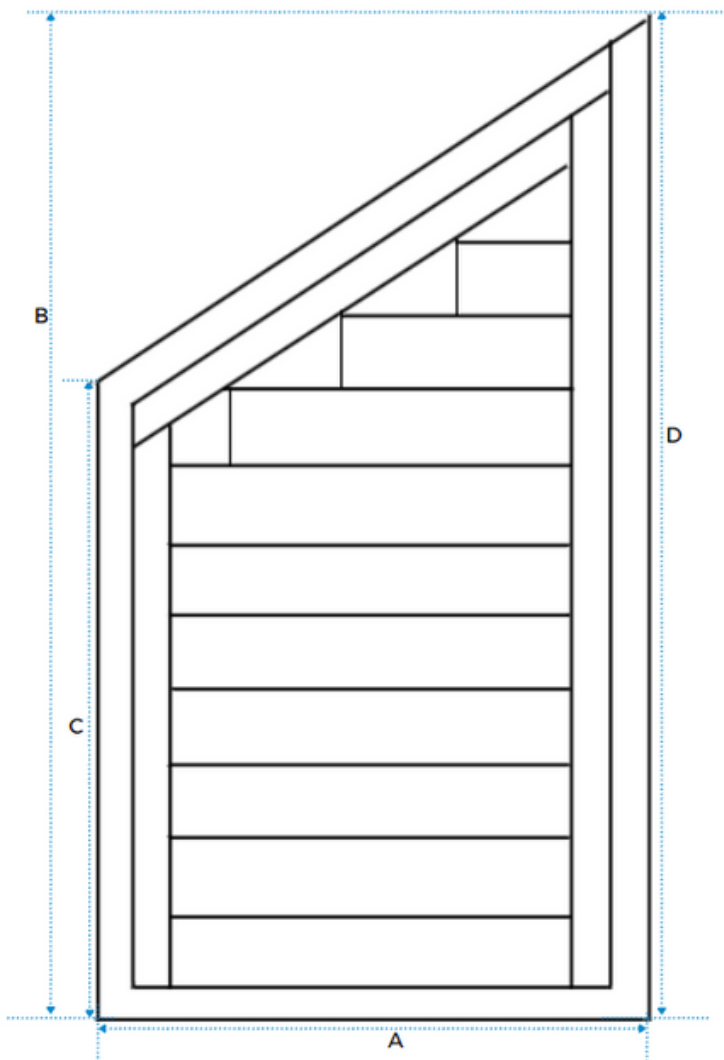
- Round
- Square (as shown on drawings)

*Make it Modern!*

*Our*

# SHAPED SHUTTERS

## Raked and Double Raked



- A (Width)
- B (Overall Height)
- C (Left Height)
- D (Right Height)

Shapes available:

- Top Rake
- Bottom Rake

Blade shape:

- Stepped Blades

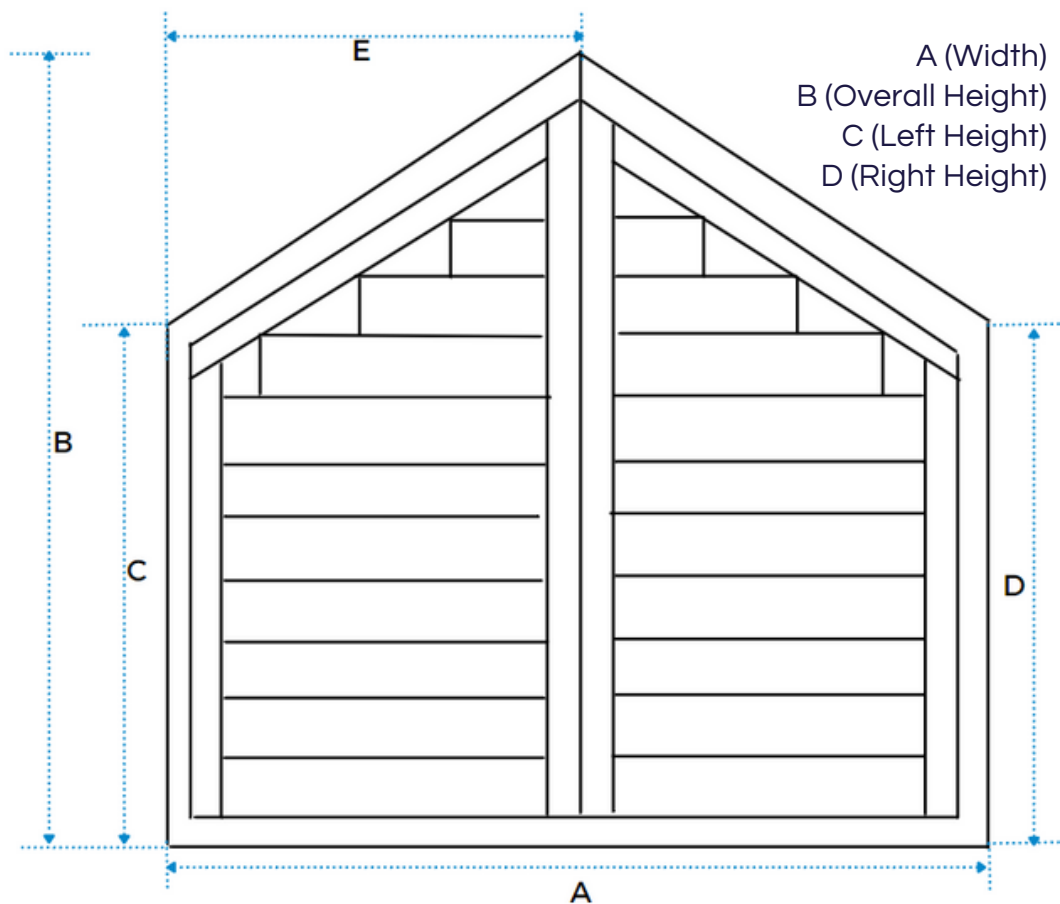


*Make it Modern!*

*Our*

# SHAPED SHUTTERS

## Raked and Double Raked



Shapes available:

- Top Rake
- Bottom Rake

Blade shape:

- Stepped Blades



*Make it Modern!*

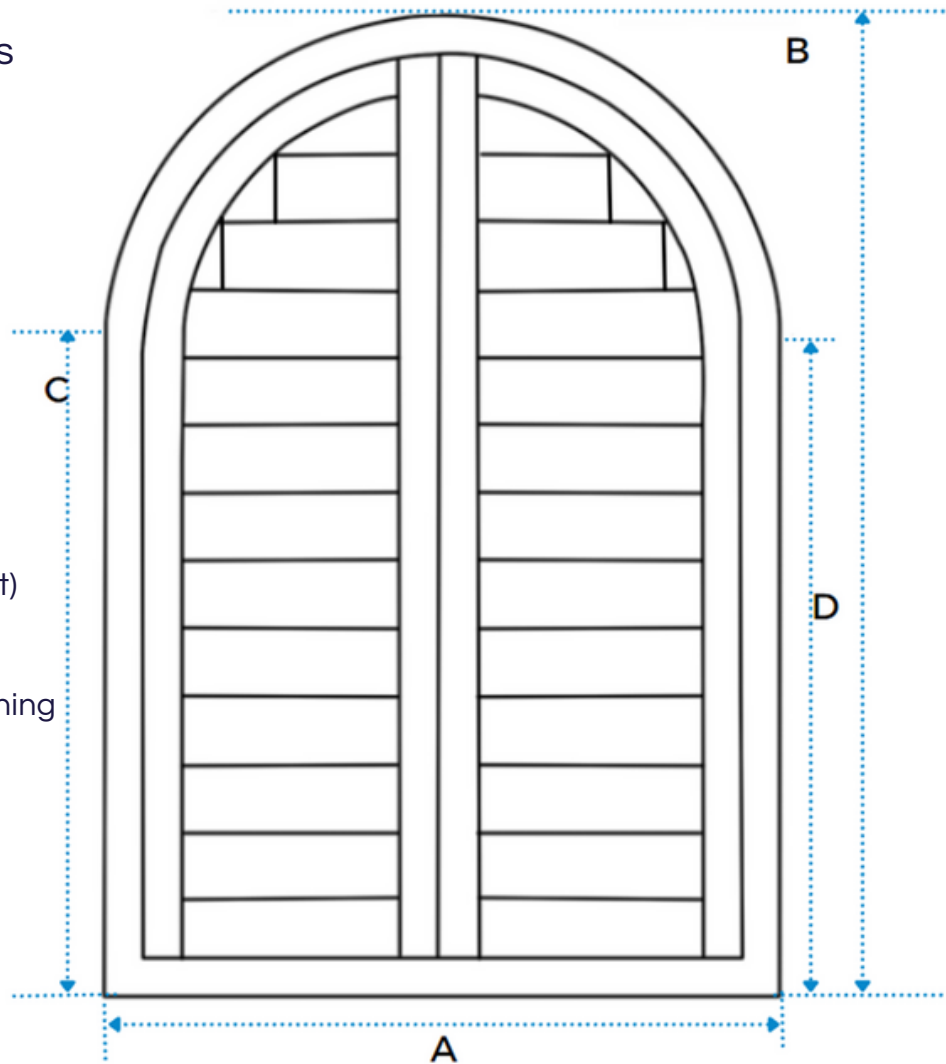


*Our*

# SHAPED SHUTTERS

## Arched Shutters

- A (Width)
- B (Overall Height)
- C (Left Height)
- D (Right Height)
- E (Width to Opening Height)



Blade shape:

- Stepped Blades



*Make it Modern!*

## What does our warranty cover?

Our Warranty and Repair Policy covers the repair or replacement of Ausource Solutions product brands if found to be defective in materials or workmanship. A 'repair' is an order that relates to a previous order, whether making a warranty claim, re-ordering, or just requiring a product part for the same job.

This warranty only applies to Ausource Solutions products. Ausource Solutions reserves the right, at its discretion, to void the warranty if and where a distributor rebrands an Ausource Solutions product or brand.

We will either repair our goods or replace our goods with new goods, at our discretion, if:

- the goods have a defect in the materials or workmanship, or the goods fail to operate as intended; and
- you make a claim under this warranty as provided below, within the time periods set out below:

Paint: 10 years \*

Structure & Composition: 25 years \*

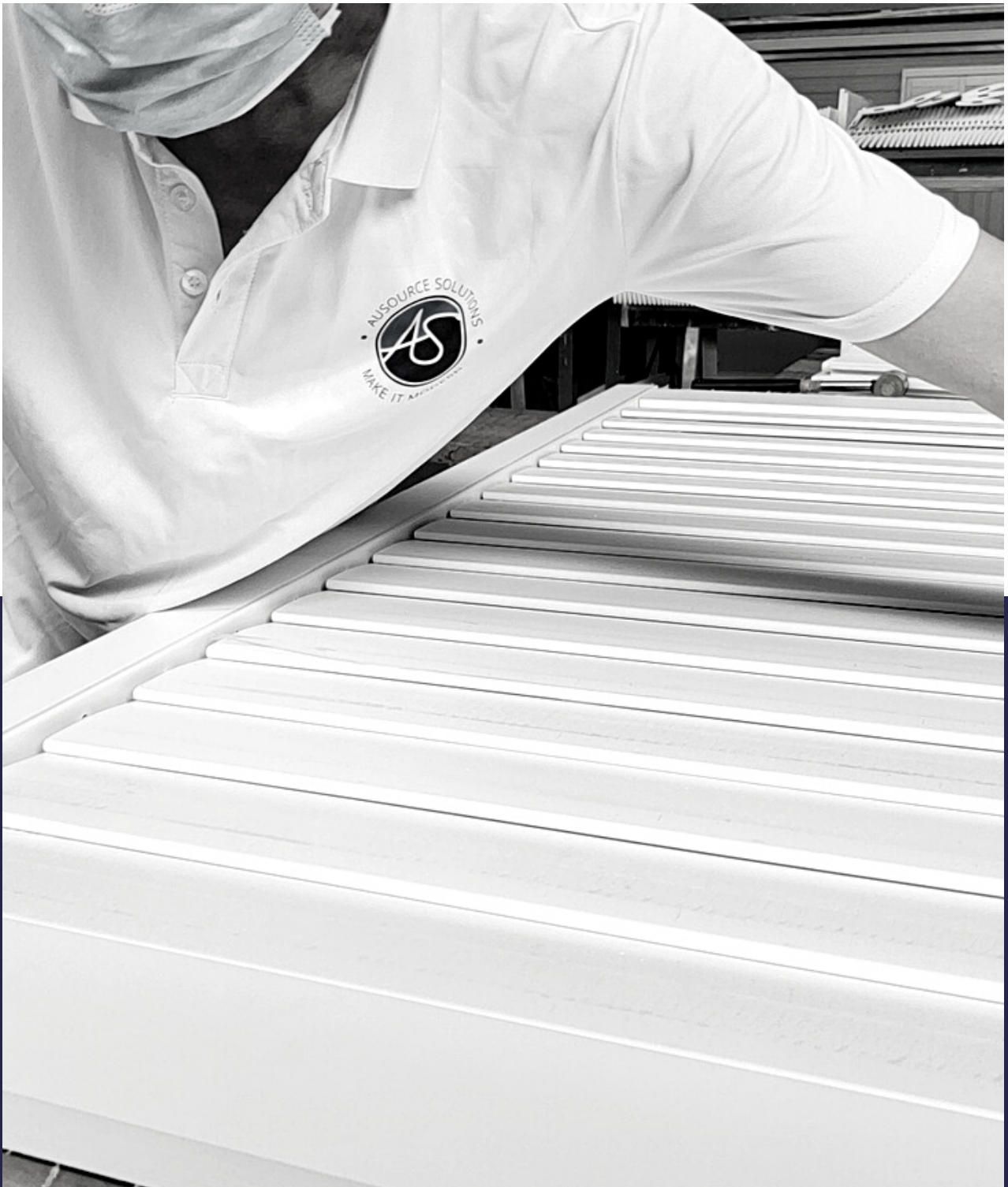
\*Terms & Conditions Apply!

You may request for our full warranty document. Send us an email.

Product  
WARRANTY



TOP-QUALITY WORKMANSHIP IS PUT INTO EACH  
SHUTTER WE MAKE.



**PRODUCTION**

*At Work*



*Let's get in touch*

Ausource Solutions Pty Ltd

07 5660 6510

[orders@ausource.com.au](mailto:orders@ausource.com.au)

Karalee QLD 4306

[www.ausourcesolutions.com](http://www.ausourcesolutions.com)

Photos used in manual are for reference only.